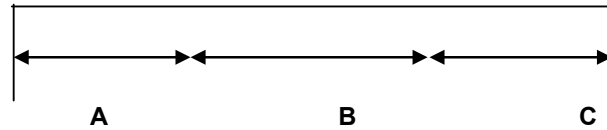


Multiple Blinds

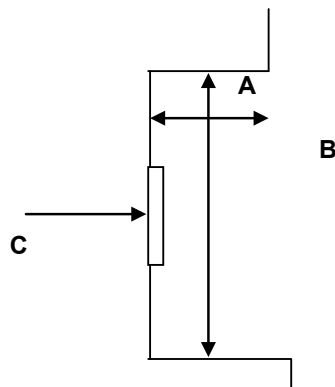
Fig 5.

Top View



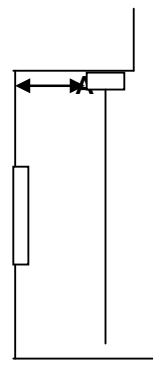
- A - Measure Both Back & Front Of Reveal
- B - Measure Both Back & Front Of Reveal
- C - Measure Both Back & Front Of Reveal

Side View



- A - Height Of Window Opening
- B - Width Of Window Reveal
- C - Depth Of Handle Or Burglar Bar

Side View



- A - Position Of Blind - From Window

Contact Details: Tel: 031 579 2670
 Fax: 031 579 2680
 Email: orders@ventolite.co.za
 Web: www.ventolite.co.za

Address: Ventolite Blinds CC
 Unit 19 Springriver Park
 48 Ebonyfield Avenue
 Springfield Park
 Durban